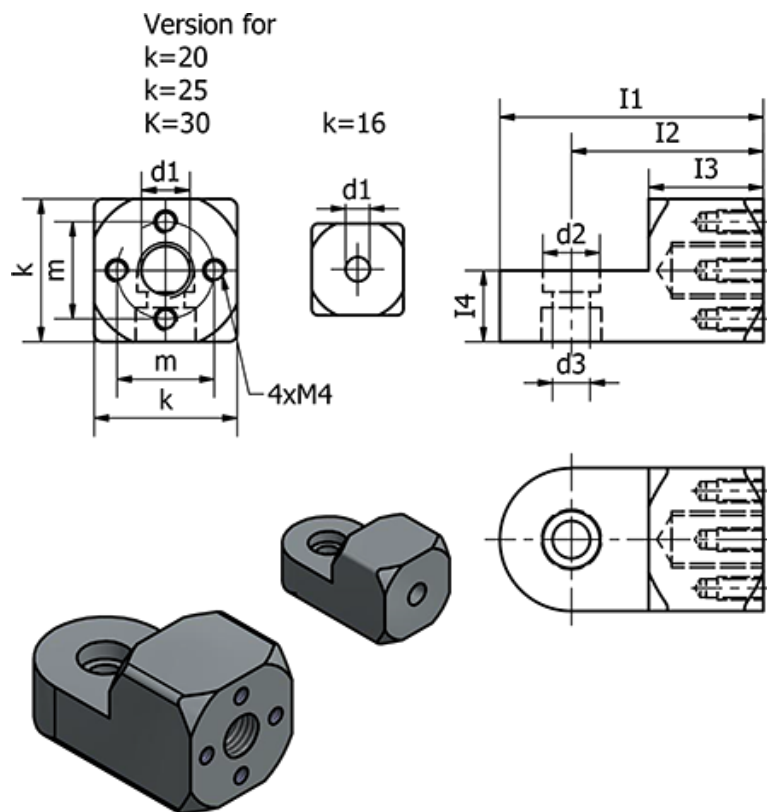


Article number: 20484M825ELS
 Description: E+G T-swivel mounting
 GN 484-M8-25-ELS

Measures



Clamping kit for $d3$ Type K = GN 511.1-M6-25-K

Clamping kit for $d3$ Type S = GN 511.1-M6-25-S

$d1$ = M8

$d2$ = 10

$d3$ = 6.5

$I1$ = 46

$I2$ = 33.5

$I3$ = 20

$I4$ = 12.5

k = 25

m = 17

Weight (g) = 46